

DİŞLİ FLANŞ 150 LB



ASME B 16.5 2013

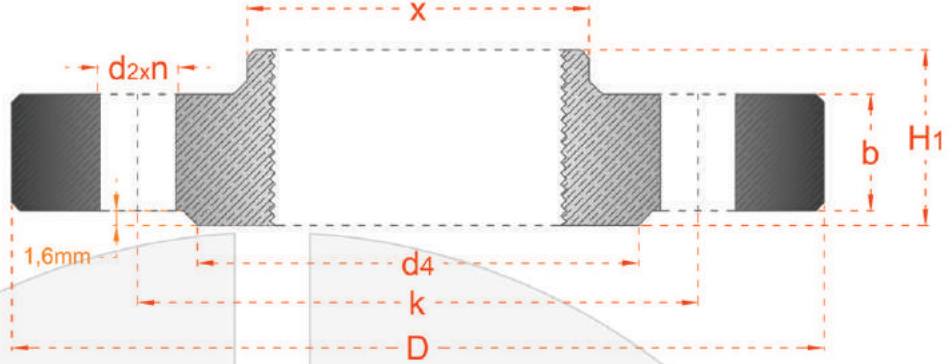


E.M.P.
www.emp.com.tr
www.empflans.com

THREADED FLANGE CLASS 150



ASME B 16.5 2013



ASME 16.5-2013										AĞIRLIK WEIGHT
DN	NPS	D	b	d4	DELİKLER - DRILLINGS			X	H1	kg
					n	k	d2			
15	1/2"	90	11.2	34.9	4	60.3	15.8	30	14	0.8
20	3/4"	100	12.7	42.9	4	69.9	15.8	38	14	0.9
25	1"	110	14.3	50.8	4	79.4	15.8	49	16	1.0
32	1 1/4"	115	15.9	63.5	4	88.9	15.8	59	19	1.3
40	1 1/2"	125	17.5	73.0	4	98.4	15.8	65	21	1.5
50	2"	150	19.1	92.1	4	120.6	19.0	78	24	2.3
65	2 1/2"	180	22.3	104.8	4	139.7	19.0	90	27	3.7
80	3"	190	23.9	127.0	4	152.4	19.0	108	29	4.2
	3 1/2"	215	23.9	139.7	8	177.8	19.0	122	30	5.3
100	4"	230	23.9	157.2	8	190.5	19.0	135	32	5.9
125	5"	255	23.9	185.7	8	215.9	22.2	164	35	7.0
150	6"	280	25.4	215.9	8	241.3	22.2	192	38	8.5
200	8"	345	28.6	269.9	8	298.4	22.2	246	43	13.5
250	10"	405	30.2	323.8	12	362.0	25.4	305	48	19.5
300	12"	485	31.8	381.0	12	431.8	25.4	365	54	29
350	14"	535	35.0	412.8	12	476.2	28.5	400	56	39
400	16"	595	36.6	469.9	16	539.8	28.5	457	62	47
450	18"	635	39.7	533.4	16	577.8	31.8	505	67	54
500	20"	700	42.9	584.2	20	635.0	31.8	559	71	70
600	24"	815	47.7	692.2	20	749.3	35.0	663	81	95

Ölçüler mm olarak verilmiştir.
Çelik ve paslanmaz üretilebilir.

Dimensions are in mm.
Steel and stainless steel can be produce.